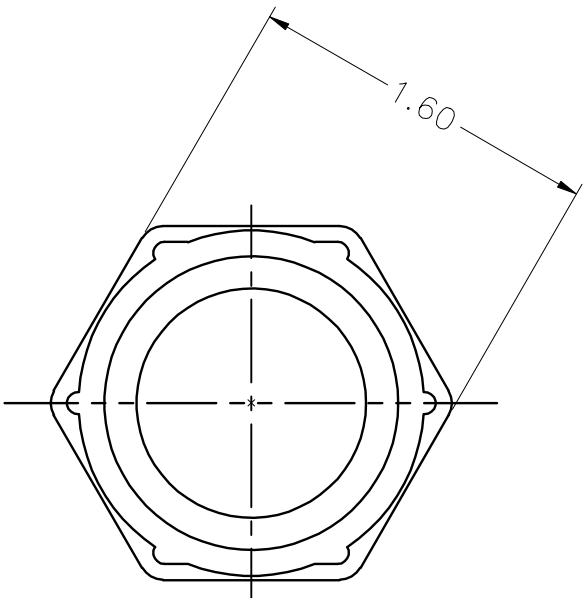


1" - 11.5TPI NPT



DIMENSIONS SUBJECT TO REVISION W/O NOTICE.

TERMINAL ADAPTER

SIZE 1"

PLASTIC TRENDS
.COM

56400 Mound Road, Shelby Township, MI 48316
 Phone (596) 781-2700 Fax (596) 781-0988

PRINTED COPIES ARE FOR REFERENCE ONLY
 DATE 5/16/2007 BY KJS

E011100.D01